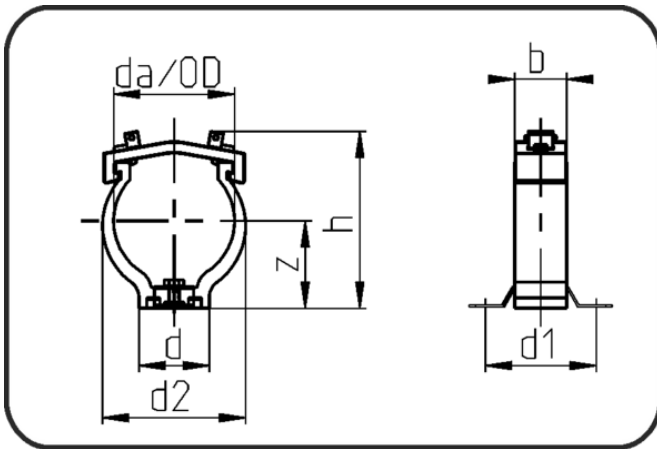


## Backing Rings, Accessories



Code: 049

- Pipe Clip
- injection moulded
- Installation Accessory
- PP-FRP black

Dimension	Code	Detail	da(OD) mm	z mm	d1 mm	d2 mm	h mm	b mm	Weight
63	14.049.0063.00	63	63	52	74	78	95	30	0.124
75	14.049.0075.00	75	75	61	82	94	112	40	0.187
90	14.049.0090.00	90	90	67	82	108	128	40	0.211
110	14.049.0110.00	110	110	80	82	137	152	40	0.287
125	14.049.0125.00	125	125	93	110	155	173	60	0.591
140	14.049.0140.00	140	140	108	110	164	198	60	0.607
160	14.049.0160.00	160	160	116	110	184	217	60	0.7
180	14.049.0180.00	180	180	136	110	211	251	60	0.99
200	14.049.0200.00	200	200	148	110	238	268	60	1.12
225	14.049.0225.00	225	225	158	110	261	293,5	60	1.26